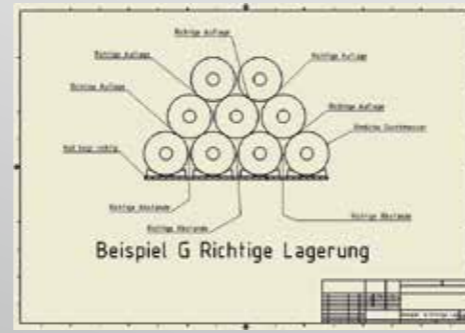
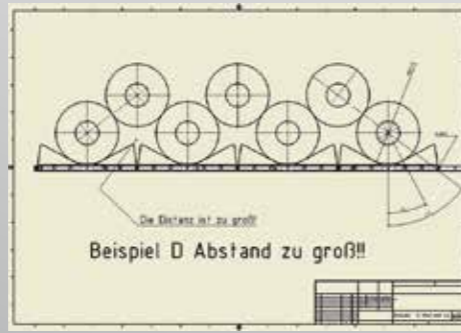


# We are your partner for Warehousing Coils!



**PKT**  
**Lakits gmbh.**

## Profil-Kunststoff-Technik

A 2484 Weigelsdorf, Boschanstraße 3  
Tel. (0043) 02254 - 72301 Fax 79094  
www.p-k-t.at - office@p-k-t.at

Profiles-Wedges-Coil Stops are made of Recycled Plastics

- ✓ We are committed to supporting you with your warehouse planning or expansion!
- ✓ Our team of experienced technicians are ready to help your Company!
- ✓ You will be totally flexible in your warehouse planning with our integration support!

### Safety



- ✓ TÜV-certified
- ✓ Patented Products
- ✓ Officially approved by the German Technical Inspection Agency



A 2484 Weigelsdorf, Boschanstraße 3  
Tel. (0043) 02254 - 72301 Fax 79094  
www.p-k-t.at - office@p-k-t.at

VATnumber:  
ATU 63858347  
Firmenbuchnummer: FN302724 h

Safe Storage of Coils



Innovation

Recycling

Safety

# Professional Solutions for the Warehousing Coils

## Benefits:

- **PKT** products guarantee compliance with the highest warehousing security and safety standards
- Officially approved by the Austria Technical Inspection Agency ("TÜV")
- Our products prevent the coils from being damaged
- Extremely long term durability
- Supports a big variety of flexible warehousing solutions
- Permits loadings of up to 100 tons and piling up to three tiers
- **PKT** products are manufactured with Recycled Plastics and this is our valuable contribution to the protection of our environment



## Various Photos of Systems in place at our Clients' Facilities:



Rollblock system with **PKT** economy rail



Coil-tray/ Overhead Crane



Coil-Mat



Rollcradle system with **PKT** economy rail

## Our Products

### Rollblock system

traditional combined with standard UNP 180



**NEW:** combination with **PKT** economy rail



### Rollcradle system

**NEW:** combined with **PKT** economy rail



### Coil-tray

Systems for overhead crane and mandrel piler make warehousing uprightly, especially for slit coils, safe and stable.



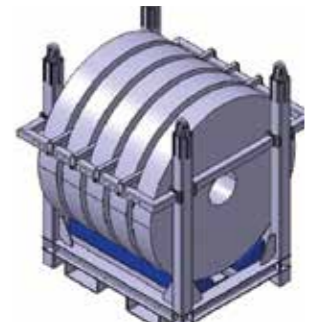
Overhead Crane



Mandrel piler

### Coil pallet-slit strip

1550 x 1200 x 2100mm (LxWxH) steel weight approximately 645kg, parts density: 5 coils (diameter 1600mm W: 200mm)



### Coil pallet

implementation up to diameter 1600mm, implementation up to diameter 2000mm



### Single place Solutions

1000 x 800 x 160 (LxWxH), Threepart system, easy to use and handle. If coil wedges are worn out, you can change or replace each wedge separately.



### Coil-mats

1650 x 450 x 55 (LxWxH) flexible guttered mats placed on the floor for oil collection.

